

DLP-PU Series

Power Supply
Parallel or Redundancy Module

- OR-ing Diodes Included
- Alarm Signals
- LED Indicators
- DIN Rail Mounting

Key Market Segments & Applications

- | | |
|----------------------|--|
| Industrial Controls: | Motor Control Systems |
| Factory Automation: | Process Control, Automotive, Chemical Processing |
| Test & Measurement: | Burn in & Test, Instrumentation Measurement |

DLP-PU Features and Benefits

Features

- Internal ORing Diodes
- Can Connect Two Units in Parallel
- Output Voltage Monitoring (via relays)
- DIN Rail Mounting

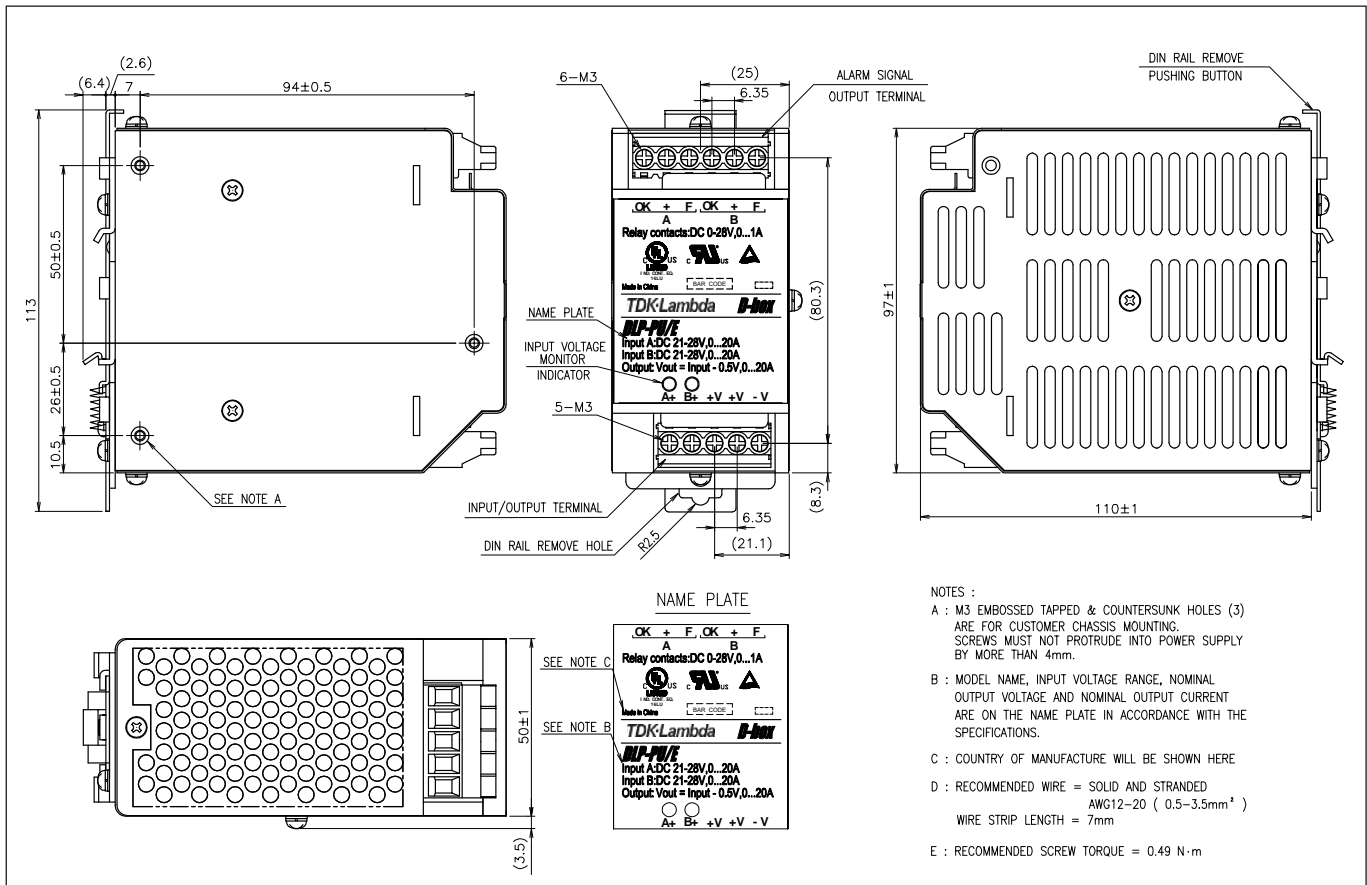
Benefits

- Allows Redundant Operating
- Enables System Scalability
- Remote Alarm Notification
- Easier System Integration

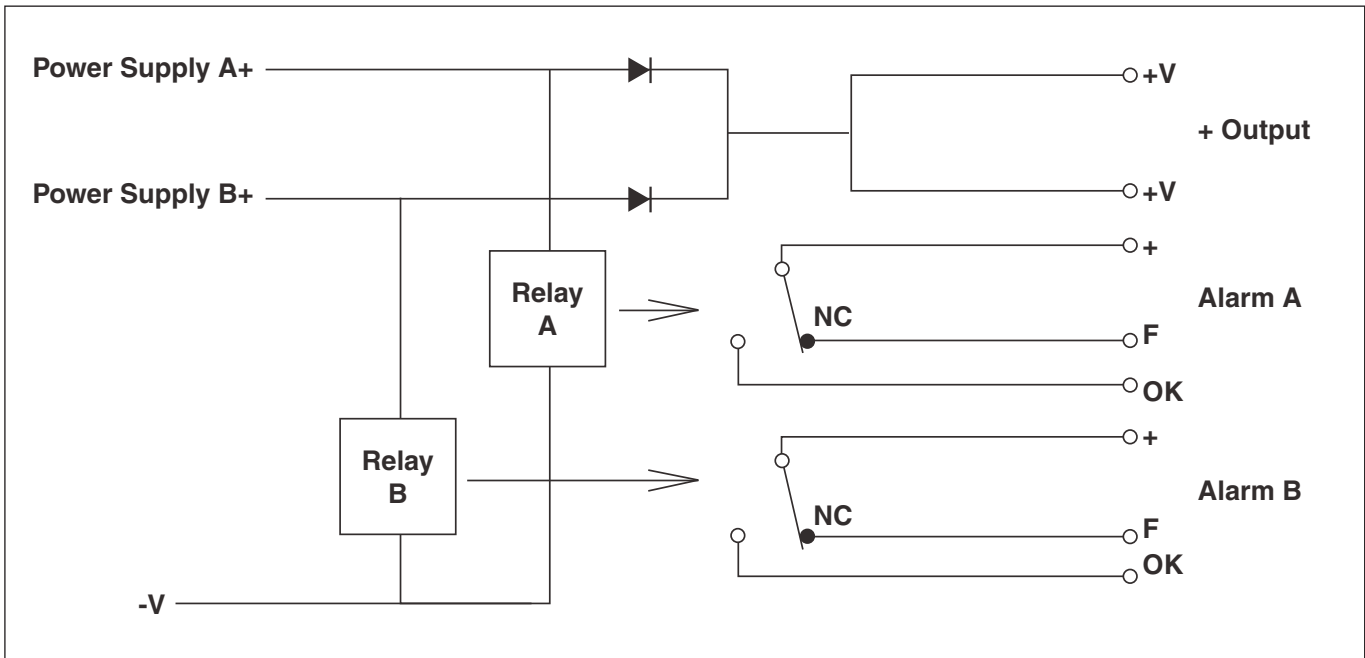
Specifications

ITEMS	MODELS	DLP-PU/E
Input Voltage Range	VDC	21 - 28
Number of inputs	-	Two
Maximum Input Current	A	20 per input
Maximum Output Current	A	20
Overcurrent protection	-	None
Voltage Drop	VDC	0.5
Maximum Reverse Voltage	VDC	35
LED Indicators	-	Two green LEDs indicating each input is "good"
Input Voltage Alarm	-	Relay off when input is <19.2V (±1%) or > 30V (±5%). NO and NC contacts
Relay contact rating (max)	-	28VDC, 1A or 120VAC, 0.5A (5mA minimum recommended)
Cooling	-	Convection
Operating Temperature	°C	-10 to +70, derate linearly to 60% from 60 to 70
Storage Temperature	°C	-30 to +85
Humidity	-	Operating: 30 - 90%RH, Storage: 10 - 95%RH (non condensing)
Withstand Voltage	-	Input or Output - Chassis, Input or Output - Relay Contacts, Relay Contacts to Chassis; 500VAC for 1 min.
Isolation Resistance	-	Input or Output - Chassis, Input or Output - Relay Contacts, Relay Contacts to Chassis; >10M Ohms at 25°C, 70%RH and 500VDC
Vibration	-	Non operating, mounted on DIN Rail, 10-55Hz (sweep for 1 min), 9.8m/s ² constant X, Y, Z each for 1 hour
Shock	-	196m/s ²
Safety Agency Approval	-	UL60950-1, CSA60950-1, EN60950-1, UL508, CSA22.2 No.14, EN60529 IP20, EN50178 Cat 1
Size	mm/in	50 x 97 x 110, (1.97x 3.81 x 4.33)
Weight	g	470
Warranty	yrs	3 Years

Outline Drawing DLP-PU Series



Block Diagram DLP-PU Series



TDK-LAMBDA EMEA

www.emea.tdk-lambda.com



TDK-Lambda France SAS

Route de Grivery
ZAC des Delaches
CS 41077
91978 Courtaboeuf Cedex
France
Tel: +33 1 60 12 71 65
Fax: +33 1 60 12 71 66
france@fr.tdk-lambda.com
www.fr.tdk-lambda.com



Italy Sales Office
Via dei Lavoratori 128/130
20092 Cinisello Balsamo (MI)
Italy
Tel: +39 02 61 29 38 63
Fax: +39 02 61 29 09 00
info.italia@it.tdk-lambda.com
www.it.tdk-lambda.com



TDK-Lambda Germany GmbH

Karl-Bold-Strasse 40
77855 Achern
Germany
Tel: +49 7841 666 0
Fax: +49 7841 5000
info.germany@de.tdk-lambda.com
www.de.tdk-lambda.com



Austria Sales Office
Aredstrasse 22
2544 Leobersdorf
Austria
Tel: +43 2256 655 84
Fax: +43 2256 645 12
info.germany@de.tdk-lambda.com
www.de.tdk-lambda.com



TDK-Lambda UK Ltd.

Kingsley Avenue
Ilfracombe
Devon EX34 8ES
United Kingdom
Tel: +44 (0) 12 71 85 66 66
Fax: +44 (0) 12 71 86 48 94
powersolutions@uk.tdk-lambda.com
www.uk.tdk-lambda.com



Nemic Lambda Ltd.

Kibbutz
Givat Hashlosha 48800
Israel
Tel: +9 723 902 4333
Fax: +9 723 902 4777
info@nemic.co.il
www.nemic.co.il



Russia

Technical Support:
St Petersburg
Tel: +7 (812) 6580463
Sales:
Moscow
Tel: +7 (499) 7557732
info@tdk-lambda.ru
www.tdk-lambda.ru

LOCAL DISTRIBUTION

